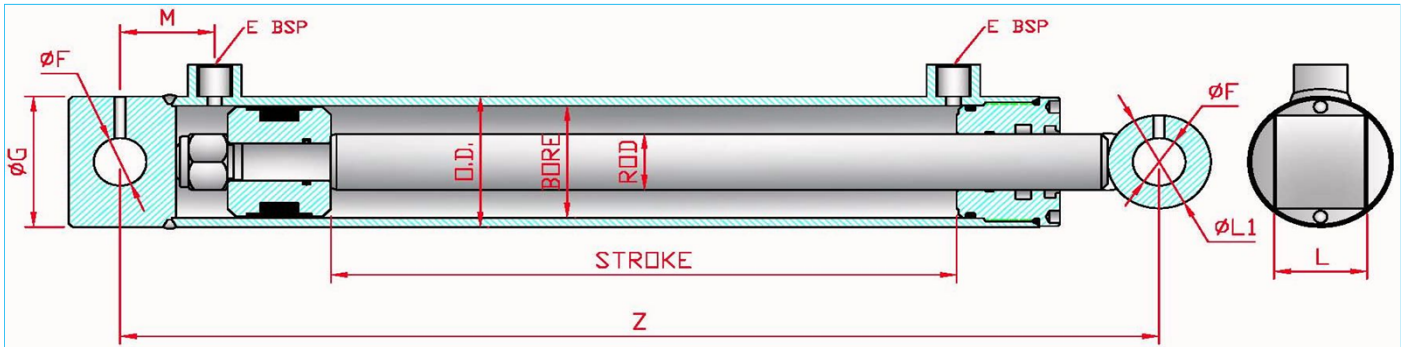


STANDARD PIN MOUNT RAMS

PRICE LIST 2011



MAX. WORKING PRESSURE 210 BAR

ORDER CODE	BORE	ROD	O.D.	STROKE	Z	E	M	L	L1	F	G	KG	PRICE
HFR0160050	25	16	35	50	160	1/4	22	25	25	12.1	35	1.00	£51.52
HFR0160100				100	210							1.20	£54.04
HFR0160150				150	260							1.40	£60.48
HFR0160200				200	310							1.70	£62.40
HFR0200050	32	20	42	50	205	1/4	35	35	30	16.2	40	1.70	£60.88
HFR0200100				100	255							2.10	£63.25
HFR0200150				150	305							2.40	£64.70
HFR0200200				200	355							2.80	£68.94
HFR0200250				250	405							3.10	£70.62
HFR0200300				300	455							3.50	£72.56
HFR0200400	40	25	50	400	555	3/8	45	40	40	20.5	50	4.20	£78.87
HFR0200500				500	655							4.80	£82.46
NFR1250100				100	270							3.00	£69.00
NFR1250150				150	320							3.40	£71.88
NFR1250200				200	370							3.90	£74.79
NFR1250250				250	420							4.40	£77.67
NFR1250300	50	30	60	300	470	3/8	58	45	50	25.5	60	4.80	£80.57
NFR1250400				400	570							5.80	£86.35
NFR1250500				500	670							6.70	£92.14
NFR1250600				600	770							7.60	£97.89
NFR1250700				700	870							8.60	£103.69
NFR1250800				800	970							9.50	£109.48
NFR2300100	60	30	70	100	300	3/8	50	45	55	25.5	70	4.40	£84.66
NFR2300150				150	350							5.00	£88.31
NFR2300200				200	400							5.60	£91.95
NFR2300250				250	450							6.20	£95.62
NFR2300300				300	500							6.90	£99.26
NFR2300400				400	600							8.10	£106.55
NFR2300500				500	700							9.30	£113.85
NFR2300600				600	800							10.50	£121.18
NFR2300700				700	900							11.80	£128.46
NFR2300800				800	1000							13.00	£135.75
NFR2300900	900	1100	14.20	£143.03									
NFR2301000	1000	1200	15.50	£150.35									
NFR3300100	60	30	70	100	300	3/8	50	45	55	25.5	70	5.60	£97.12
NFR3300150				150	350							6.30	£100.98
NFR3300200				200	400							7.00	£104.83
NFR3300250				250	450							7.70	£108.69
NFR3300300				300	500							8.30	£112.54
NFR3300350				350	550							9.00	£116.39
NFR3300400				400	600							9.70	£120.25
NFR3300450				450	650							10.40	£124.10
NFR3300500				500	700							11.00	£127.96
NFR3300600				600	800							12.40	£135.64
NFR3300700	700	900	13.70	£143.32									

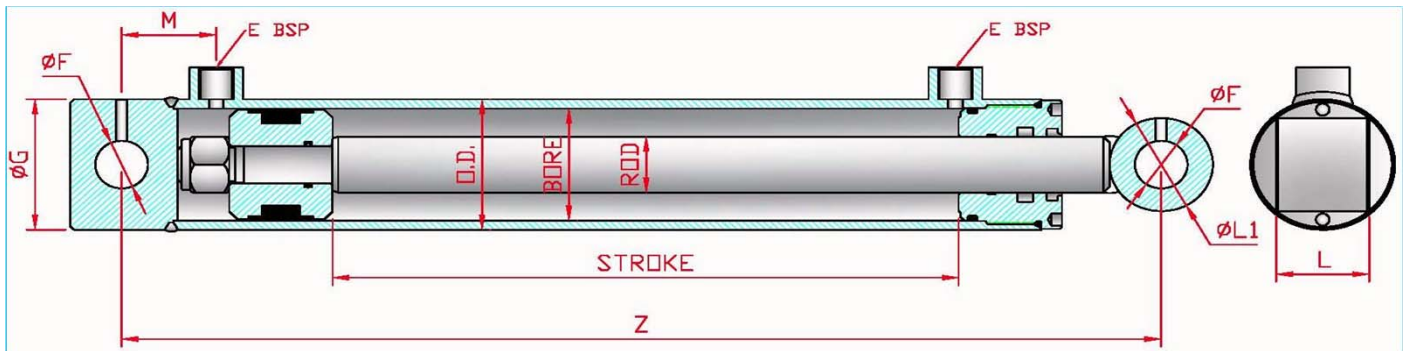
INTERFLUID HYDRAULICS LTD

UNITS 2&3, GREENHILL WORKS, DELAWARE RD, GUNNISLAKE, CORNWALL PL18 9AS

Email: sales@interfluid.co.uk Tel: 01822 833111 Fax: 01822 833397

STANDARD PIN MOUNT RAMS

PRICE LIST 2011



MAX WORKING PRESSURE 210 BAR

ORDER CODE	BORE	ROD	O.D.	STROKE	Z	E	M	L	L1	F	G	KG	PRICE
NFR3350200				200	400							7.50	£108.87
NFR3350300				300	500							9.00	£117.60
NFR3350400				400	600							10.60	£126.35
NFR3350500				500	700							12.10	£135.09
NFR3350600	60	35	70	600	800	3/8	50	45	50	25.5	70	13.70	£143.82
NFR3350700				700	900							15.20	£152.59
NFR3350800				800	1000							16.80	£161.33
NFR3350900				900	1100							18.30	£170.07
NFR3351000				1000	1200							19.90	£178.80
NFR4400200				200	410							10.10	£132.82
NFR4400250				250	460							11.00	£138.36
NFR4400300				300	510							12.00	£143.88
NFR4400350				350	560							13.00	£149.45
NFR4400400				400	610							13.90	£154.97
NFR4400450	70	40	80	450	660	3/8	58	55	55	30.5	80	14.90	£160.54
NFR4400500				500	710							15.80	£166.06
NFR4400600				600	810							17.70	£177.11
NFR4400700				700	910							19.60	£188.17
NFR4400800				800	1010							21.50	£199.21
NFR4400900				900	1110							23.40	£210.28
NFR5400200				200	410							13.00	£164.28
NFR5400250				250	460							14.20	£170.75
NFR5400300				300	510							15.30	£177.22
NFR5400350				350	560							16.40	£183.69
NFR5400400				400	610							17.50	£190.16
NFR5400500	80	40	92	500	710	3/8	58	55	50	30.5	90	19.80	£203.07
NFR5400600				600	810							22.00	£215.98
NFR5400700				700	910							24.30	£228.89
NFR5400800				800	1010							26.50	£241.82
NFR5400900				900	1110							28.80	£254.70
NFR5401000				1000	1210							31.00	£267.62
NFR6500200				200	425							21.50	£234.46
NFR6500300				300	525							25.00	£255.29
NFR6500400				400	625							28.50	£276.11
NFR6500500	100	50	115	500	725	1/2	50	70	65	31	115	32.00	£296.87
NFR6500700				700	925							39.10	£338.47
NFR6500900				900	1125							46.10	£380.13
NFR6501000				1000	1225							49.60	£400.93

INTERFLUID HYDRAULICS LTD

UNITS 2&3, GREENHILL WORKS, GUNNISLAKE, CORNWALL PL18 9AS

Email: sales@interfluid.co.uk Tel: 01822 833111 Fax: 01822 833397

HYDRAULIC CYLINDER FORCES

PART No.	BORE DIA.	ROD DIA.	EXTENSION FORCE (KG)			RETRACTION FORCE (KG)		
			@ 140 BAR	@ 170 BAR	@ 210 BAR	@ 140 BAR	@ 170 BAR	@ 210 BAR
HFR016....	25	16	688	835	1032	406	553	750
HFR020....	32	20	1127	1368	1690	687	928	1250
HFR125....	40	25	1761	2138	2641	1073	1450	1953
HFR230....	50	30	2751	3341	4127	1761	2350	3136
HFR330....	60	30	3961	4810	5942	2971	3820	4952
HFR335....	60	35	3961	4810	5942	2613	3462	4594
HFR440....	70	40	5392	6547	8088	3631	4787	6327
HFR540....	80	40	7043	8552	10564	5282	6791	8803
HFR650....	100	50	11004	13362	16506	8253	10611	13755

INTERFLUID HYDRAULICS LTD

UNITS 2&3, GREENHILL WORKS, DELAWARE RD, GUNNISLAKE, CORNWALL PL18 9AS

Email: sales@interfluid.co.uk Tel: 01822 833111 Fax: 01822 833397

ALL DATA IS GIVEN IN GOOD FAITH BUT MAY BE SUBJECT TO CHANGE WITHOUT NOTICE

ALL DIMENSIONS ARE GIVEN IN MILLIMETRES