

HPM

TD4

33W

H

HPM Mini Pack



HPM Mini Packs modular design offers a flexible basis for a wide range of mobile and industrial hydraulic systems. Available for AC or DC power from 0.18 to 5.5 kW in single and double-acting formats with flows up to 30 litres/minute and pressures of 250 bar.

Typical Mini Pack applications include:

- Waste Compactor/Balers
- Tipping Trucks and Trailers
- Lifts (Direct and Scissor)
- Road Blockers and Bollards
- Industrial machines

Interfluid Hydraulics Ltd have a proven record of performance.

- 100% testing
- Wide application knowledge
- Large stock holding
- Fast deliveries
- Product support
- Ability to tailor designs
- Global customer base
- 3D modelling facilities

HPM Mini Pack



HPM Mini Packs modulare Aufbau bietet eine flexible Basis für eine breite Palette von mobilen und industriellen Hydrauliksysteme. Verfügbar für AC-oder DC-von 0,18 bis 5,5 kW in Einzel-und doppelt wirkende Formate mit Strömungen bis 30 l / min und Drücken von 250 bar.

Typische Mini Pack Anwendungen gehören:

Müllpresse / Pressen
Tipping Trucks and Trailers
Aufzüge (Direkt-und Scissor)
Road Blockers und Poller
industrielle Maschinen

Interfluid haben eine nachgewiesene Leistung.

100%-Prüfung
Breiter Anwendungsbereich Wissen
Große Lagerhaltung
schnelle Lieferungen
Produkt-Support
Fähigkeit, maßgeschneiderte Designs
Weltweiten Kundenstamm
3D-Modellierung Einrichtungen

HPM Mini Pack



HPM Mini Packs diseño modular ofrece una base flexible para una amplia gama de sistemas hidráulicos industriales y móviles. Disponibles para la energía AC o DC desde 0,18 hasta 5,5 kW en formato simple y doble, con caudales de hasta 30 litros / minuto y presiones de 250 bar.

Las aplicaciones típicas incluyen paquete de Mini:

Compactador de residuos / Empacadoras
Camiones y remolques de vuelco
Ascensores (directa y de tijera)
Bloqueo de carreteras y bolardos
máquinas industriales

Interfluid tienen un historial comprobado de desempeño.

100% de las pruebas
Conocimiento de las aplicaciones de ancho
Amplio stock celebración
entregas rápidas
de soporte de producto
Capacidad de adaptar los diseños
Base global de clientes
Las instalaciones de modelado en 3D

S

C

N

OSP

C

4.567

HPM Mini power pack range

DC Motor Range
AC Motor
Motor connection flanges and drive couplings

“W” Gear Pumps
“G” Gear Pumps
Group 0 Gear pumps and adaptors

Orientation

Central Manifold - Types and Circuits

Electric Solenoid Cartridge Valve
Manual Lever Cartridge Valve

Flow Control Insert

Plastic Reservoirs
Steel Reservoirs (Cylindrical)
Steel Reservoir (Rectangular)

Stacking plates for Cetop03 Directional Control Valves
Stacking plates

Customer specific build number

HPM

TD4

33W

H

S

C

N

05P

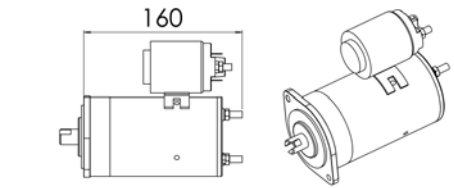
C

4567

DC MOTORS

DC Motors— 0.5kW and 0.8kW

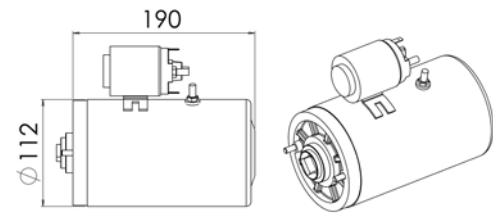
| | |
|------------------|-----|
| HP4143 12V 0.5kW | 105 |
| HP145 12V 0.8kW | 108 |
| HP4144 24V 0.5kW | 205 |
| HP4146 24V 0.8kW | 208 |



for performance data see data sheet TI-100-03/04

DC Motors— 1.8kW and 2kW with start switch and thermal overload protection

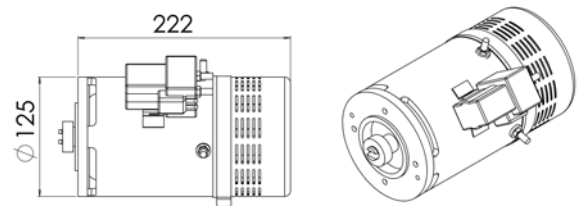
| | |
|------------------|-----|
| HP4421-12V 1.8kW | 120 |
| HP4421-24V 2kW | 220 |



for performance data see data sheet TI-100-06

DC Motors — 3kW with start switch and thermal overload protection

| | |
|----------------------|-----|
| EC3/2.4/35.15 + SW80 | 23F |
|----------------------|-----|

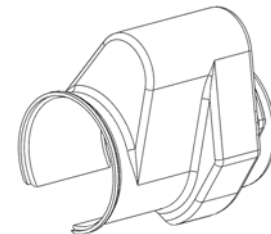


for performance data see data sheet TI-100-05

DC MOTOR ACCESSORIES

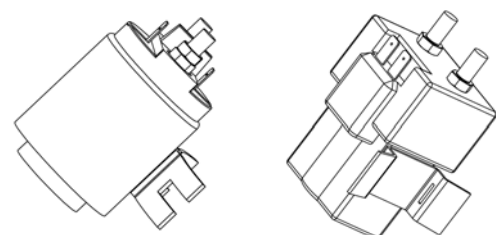
DC Motors— Protection Cover

| |
|-------------------------|
| UP9 Clip-on Motor cover |
|-------------------------|



DC Motors— Start Switch

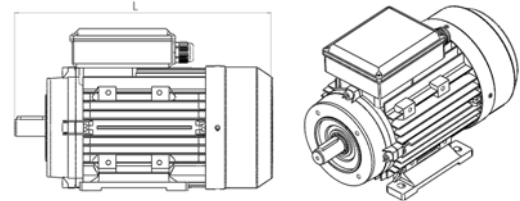
| |
|--|
| HP4454-12 12V 200Amp Start switch |
| HP4454-24 24V 150 Amp Start switch |
| SW80 24V 250 Amp Heavy Duty Start Switch |



MOTOR TYPE

AC Motors — 1 phase 240V 50Hz B34 IEC

| | | |
|------------------------|---------|-----|
| 0.37kW 2pole 71 frame | L = 180 | SC2 |
| 0.55kW 2pole 71 frame | 180 | SD2 |
| 0.75kW 2pole 80 frame | 250 | SE2 |
| 1.1kW 2pole 80 frame | 250 | SF2 |
| 1.5kW 2pole 80 frame * | 250 | SG2 |
| 2.2kW 2pole 90 frame | 285 | SH2 |
| 3.0kW 2pole 100 frame | 315 | SI2 |
| 0.37kW 4pole 71 frame | 180 | SC4 |
| 0.55kW 4pole 80 frame | 180 | SD4 |
| 0.75kW 4pole 80 frame | 250 | SE4 |
| 1.1kW 4pole 90 frame | 285 | SF4 |
| 1.5kW 4pole 90 frame | 285 | SG4 |
| 2.2kW 4pole 100 frame | 285 | SH4 |
| 3.0kW 4pole 100 frame | 285 | SI4 |



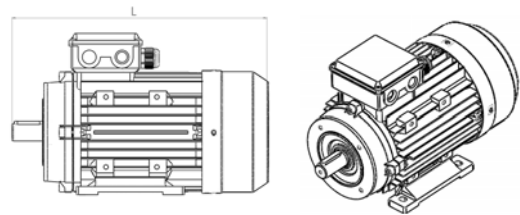
Permanent capacitor motors are preferred with a 0.5-0.9 FLT starting torque.

Capacitor start/run motors have a high starting torque.

All motors are aluminium body with a multi-mount feet. Insulation Class F, IP55 protection.

AC Motors — 3 phase 380/415V 50Hz B34 IEC

| | | |
|-------------------------|-------|-----|
| 0.37kW 2pole 71 frame | L=211 | TC2 |
| 0.55kW 2pole 71 frame * | 225 | TD2 |
| 0.75kW 2pole 80 frame * | 250 | TE2 |
| 1.1kW 2pole 80 frame | 250 | TF2 |
| 1.5kW 2pole 80 frame * | 250 | TG2 |
| 2.2kW 2pole 90 frame | 317 | TH2 |
| 3kW 2pole 100 frame | 309 | TI2 |
| 4kW 2pole 100 frame * | 327 | TJ2 |
| 5.5kW 2pole 112 frame | 335 | TK2 |
| 0.37kW 4pole 71 frame | 180 | TC4 |
| 0.55kW 4pole 71 frame * | 225 | TD4 |
| 0.75kW 4pole 80 frame | 250 | TE4 |
| 1.1kW 4pole 80 frame | 250 | TF4 |
| 1.5kW 4pole 90 frame | 287 | TG4 |
| 2.2kW 4pole 90 frame * | 317 | TH4 |
| 3.0kW 4pole 100 frame | 285 | TI4 |
| 4.0kW 4pole 100 frame * | 285 | TJ4 |
| 5.5kW 4pole 112 frame | 335 | TK4 |



Dual European voltages, up to 3kW 230/400 above 400/690V. Dual 50/60Hz rated.

S1 Continuous Duty S1. Thermistors PTC.

All motors are aluminium body with a multi-mount feet. Insulation Class F, IP55 protection.

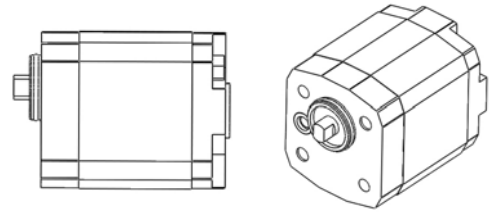
* High Output motors in a "reduced" frame size

+44 (0)1822 833111

HYDRAULIC PUMPS

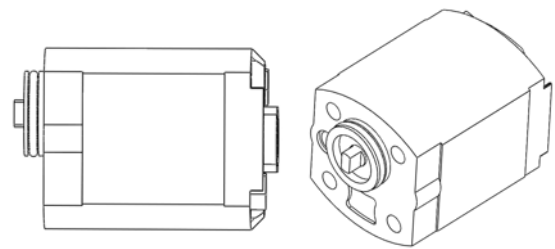
Gear Pump group 0

| Size cm ³ | PMax | Type |
|----------------------|------|------|
| 0.25 | 180 | 02C |
| 0.50 | 180 | 05C |
| 0.75 | 250 | 07C |



Gear Pump group 1

| Size cm ³ | P _(nom) | | P _(nom) | | P _(peak) | |
|----------------------|--------------------|------|--------------------|------|---------------------|------|
| | P _(nom) | Type | P _(nom) | Type | P _(peak) | Type |
| 0.7 | 210 | 07W | | | | |
| 1.0 | 210 | 10W | 250 | 10C | 300 | 11G |
| 1.3 | 210 | 13W | 250 | 12C | | 13G |
| 1.6 | 210 | 16W | 250 | 16C | 300 | 16G |
| 2.0 | 210 | 20W | 250 | 21C | 300 | 21G |
| 2.5 | 210 | 25W | 250 | 25C | 300 | 25G |
| 3.3 | 210 | 33W | 250 | 36C | 280 | 32G |
| 4.2 | 210 | 42W | 250 | 42C | | |
| 4.8 | 210 | 48W | 250 | 50C | | |
| 5.8 | 180 | 58W | 210 | 58C | | |
| 7.8 | | | 180 | 78C | | |
| 8.8 | | | 150 | 88C | | |
| 9.8 | | | 230 | 98V | | |

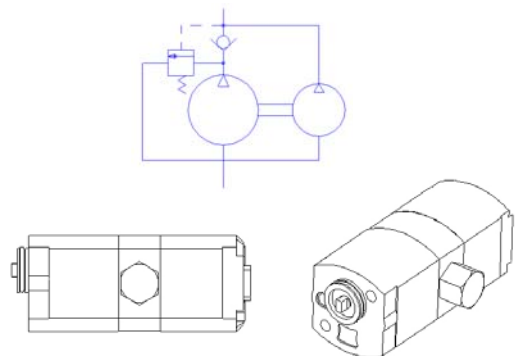


Group 1 pumps are available in three types, "W" is the standard option. Type C give higher pressures and larger displacements. Type "G" is a cast iron flanged pump for extended life in extreme applications.

Tandem Gear Pump group 1—Hi-Lo Pump

| Size cm ³ | Type |
|---|-------|
| 0.7cc+4.2cc with built-in unloading valve | 4207W |

W pumps have a built-in valve to unload the rear pump at low pressure, the high pressure front pump is set by the power pack relief valve.



HYDRAULIC PUMP ACCESORIES

Pump Accessories

| |
|--------------------|
| Pump by-pass valve |
|--------------------|

By-pass valve enables the pump to start off-load when using a Permanent capacitor motor. 3/8" BSP

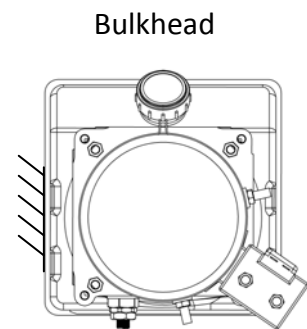
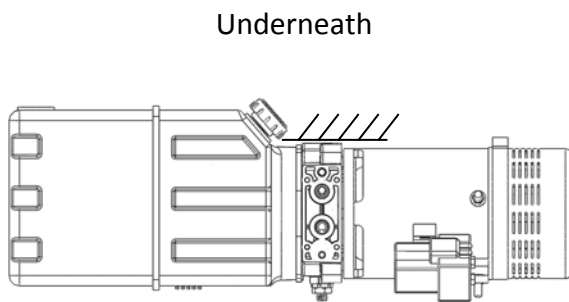
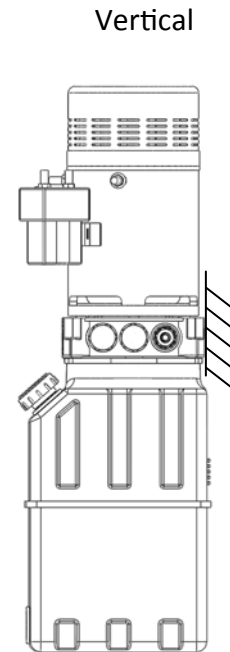
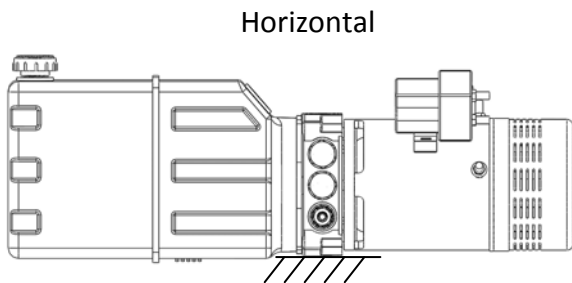


HPM
TD4
33W
H
S
C
N
OSP
C
4567

MOUNTING

Orientation

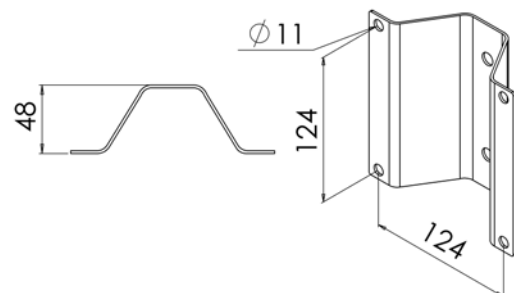
| Position | Type |
|------------|------|
| Horizontal | H |
| Vertical | V |
| Bulkhead | B |
| Underneath | U |



ACCESORIES

Mounting Bracket

HP150015 Mounting Bracket

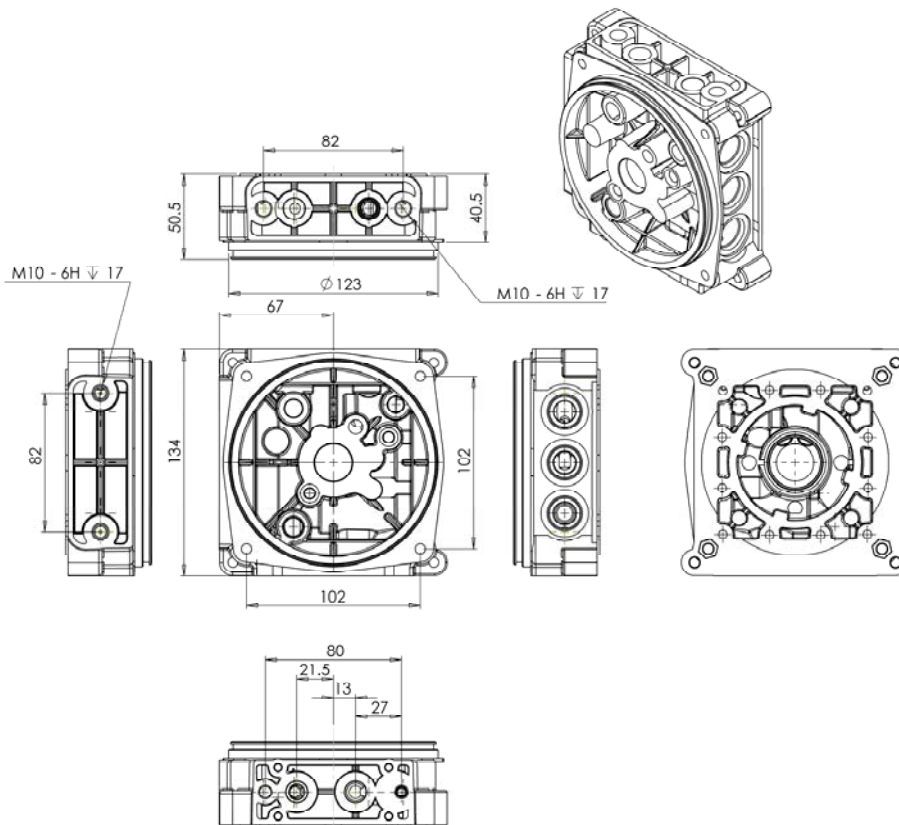


HPM
TD4
33W
H
S
C
N
OSP
C
4567

CENTRAL MANIFOLD

Orientation

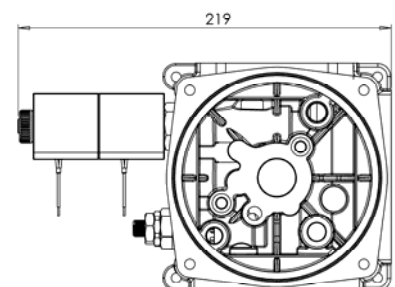
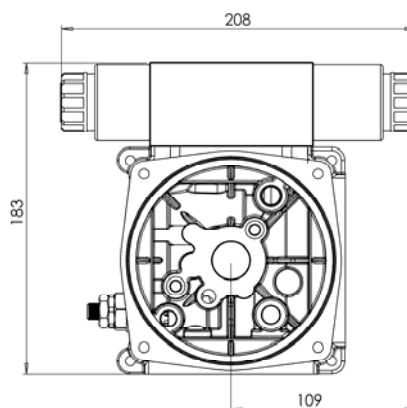
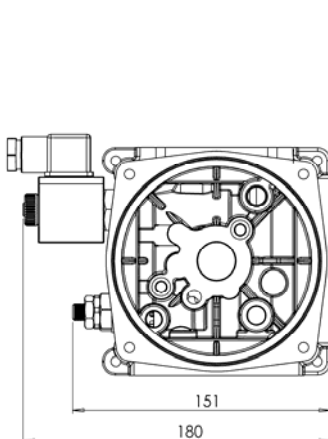
| Manifold | Type |
|--|------|
| 1/4" BSP with Group1 Pump | S |
| 1/4" BSP with Group0 Pump | P |
| 3/8" BSP with Group1 Pump | R |
| 1/4" BSP Double Acting for Cartridge Valve | D |



Single Acting Solenoid Valve

Double Acting with NG6 Valve

Double Acting with Solenoid
Cartridge Valve



HPM
TD4
33W
H
S
C
N
05P
C
4567

Single Acting Cartridge Valve

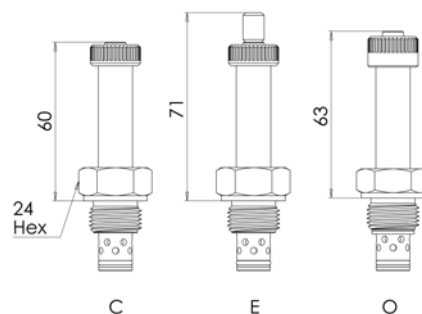
Solenoid Operated



Description

| | |
|--|---|
| Normally Closed Poppet | C |
| Normally Closed Poppet with Emergency Override | E |
| Normally Open Poppet—use 22Watt coils only | O |

Type

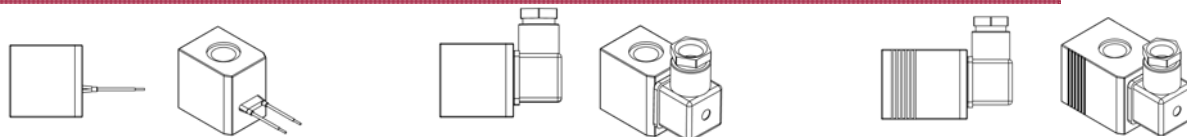


Solenoid Coils

Description

Voltages

| | |
|---------------------------|-------------------------------------|
| 18W with Flying leads | 12VDC, 24VDC |
| 18Watt with DIN connector | 12VDC, 24VDC, 24VAC, 110VAC, 240VAC |
| 22Watt with DIN connector | 12VDC, 24VDC, 24VAC, 110VAC, 240VAC |



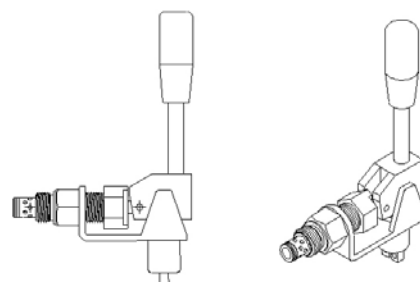
Lever Operated

Description

Normally Closed with Microswitch

Type

L



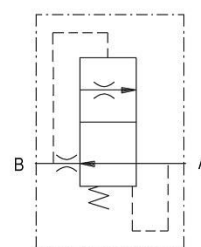
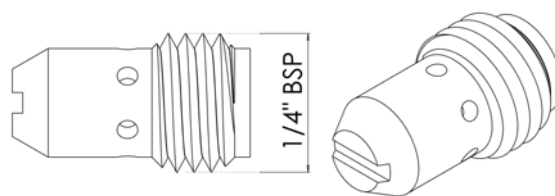
Flow Control Insert

Pressure Compensated Fixed Flow Insert

Description

Type

| | |
|------------------|----|
| VSCF01— 1 l/min | 1 |
| VSCF02— 2 l/min | 2 |
| VSCF03— 3 l/min | 3 |
| VSCF04— 4 l/min | 4 |
| VSCF05— 5 l/min | 5 |
| VSCF06— 6 l/min | 6 |
| VSCF07— 7 l/min | 7 |
| VSCF08— 8 l/min | 8 |
| VSCF09— 9 l/min | 9 |
| VSCF10— 10 l/min | 10 |



Steel Oil Tank

Cylindrical

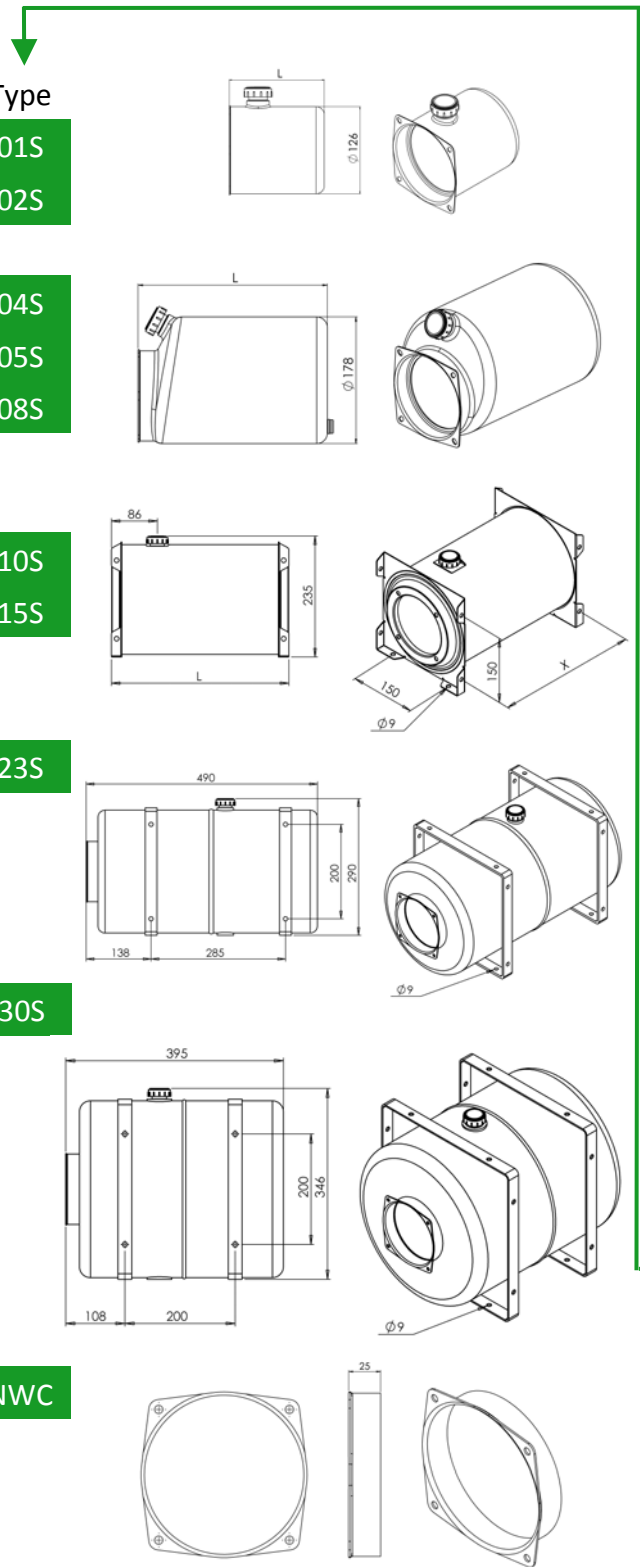
| Description | Length | Type |
|---------------|--------|------|
| 1 Litre Steel | 139 | 01S |
| 2 Litre Steel | 218 | 02S |
| 4 Litre Steel | 235 | 04S |
| 5 Litre Steel | 270 | 05S |
| 8 Litre Steel | 380 | 08S |

| | | | |
|----------------|-------|-----|-----|
| 10 Litre Steel | X=322 | 340 | 10S |
| 15 Litre Steel | X=472 | 490 | 15S |

| | |
|----------------|-----|
| 23 Litre Steel | 23S |
|----------------|-----|

| | |
|----------------|-----|
| 30 Litre Steel | 30S |
|----------------|-----|

| | |
|-------------|-----|
| Weld Collar | NWC |
|-------------|-----|



Accessories

HPM

TD4

33W

H

S

C

N

05P

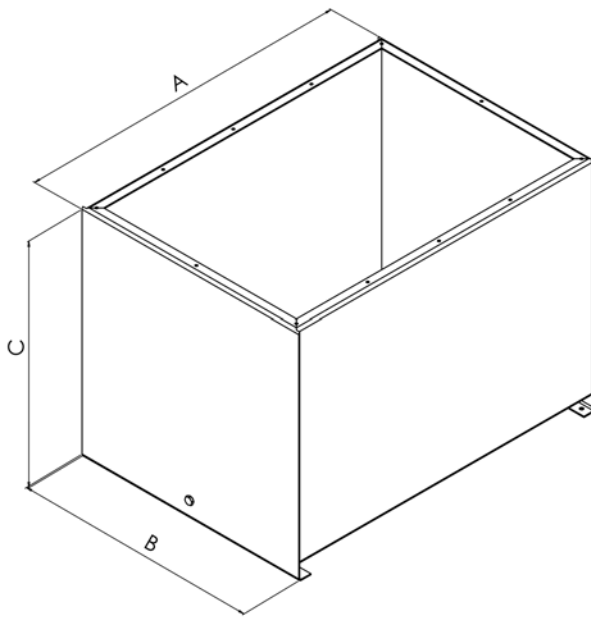
C

4567

Steel Oil Tank

Rectangular

| Description | A | B | C | Type |
|-------------|-----|-----|-----|------|
| 12 Litre | 335 | 270 | 290 | 12C |
| 16 Litre | 410 | 325 | 305 | 16C |
| 30 Litre | 470 | 375 | 335 | 30C |
| 55 Litre | 600 | 470 | 365 | 55C |

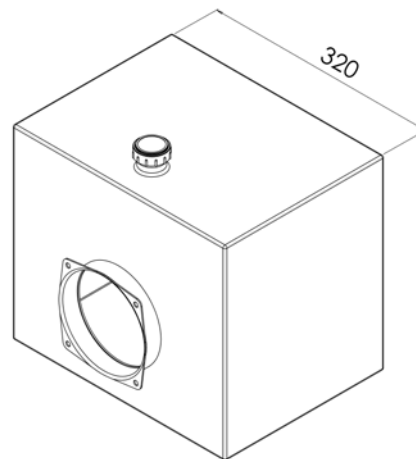
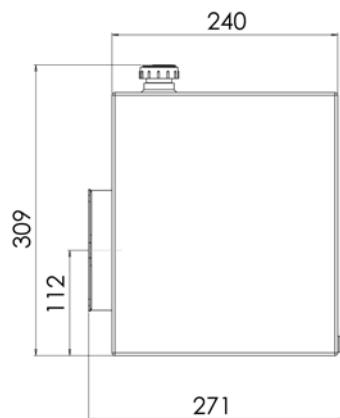


Powerpacks are fitted to the lid of these tanks.
For details on the position and orientation please contact our sales team.

These tanks are finished in zinc rich primer as standard.

18 Litre Steel

18S



HPM

TD4

33W

H

S

C

N

05P

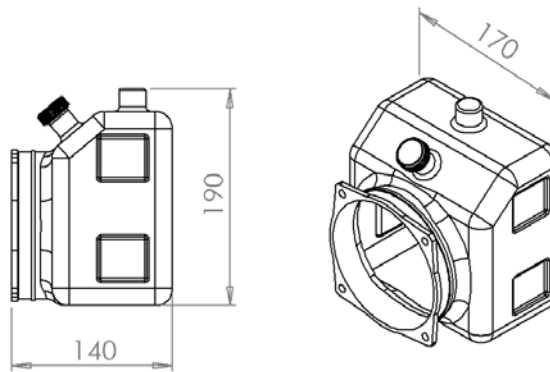
C

4567

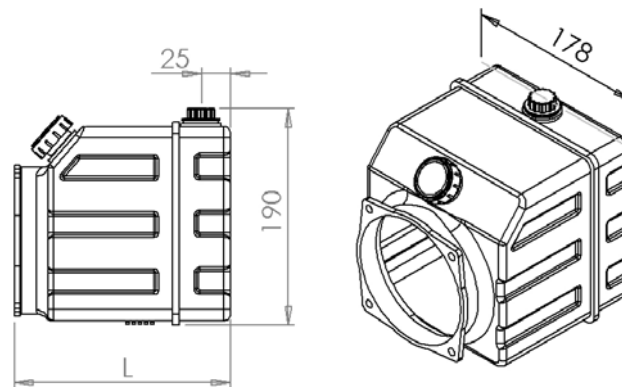
Plastic Oil Tank

Rectangular

| Description | Length | Type |
|-------------------|--------|------|
| 1.5 Litre Plastic | | 01P |



| | | |
|-----------------|-----|-----|
| 3 Litre Plastic | 190 | 03P |
| 5 Litre Plastic | 285 | 05P |
| 8 Litre Plastic | 432 | 08P |



Accessories

HPM

TD4

33W

H

S

C

N

05P

C

4567

Stacking Plates

For any additional valve stacking plates, use "C" in part code

Cetop03 (NG6) Directional Control Valve Plates

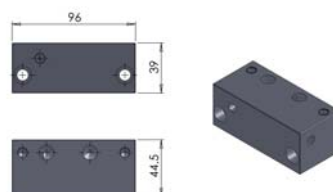
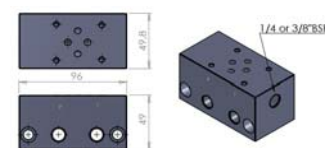
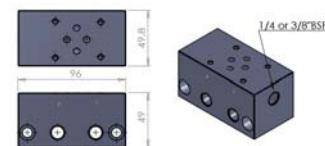
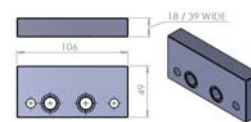
| Description | Part Number |
|-------------------|-------------|
| Spacer plate 18mm | HP050040-1 |
| Spacer plate 39mm | HP050040-2 |

| | |
|---|----------|
| Parallel connection Cetop03 with 1/4" BSP ports | HP050015 |
| Parallel connection Cetop03 with 3/8" BSP ports | HP050016 |

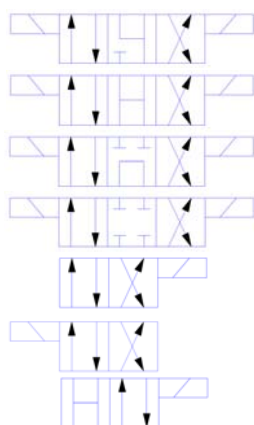
| | |
|---|----------|
| Series connection Cetop03 with 1/4" BSP ports | HP050128 |
|---|----------|

| | |
|---|-------------|
| Pilot Check Valve on A&B with 3/8" BSP ports | HP150014-AB |
| Pilot Check Valve on A only with 3/8" BSP ports | HP150014-A |
| Pilot Check Valve on B only with 3/8" BSP ports | HP150014-B |

| | |
|---|----------|
| Vertical to Horizontal Conversion block | HP050129 |
|---|----------|



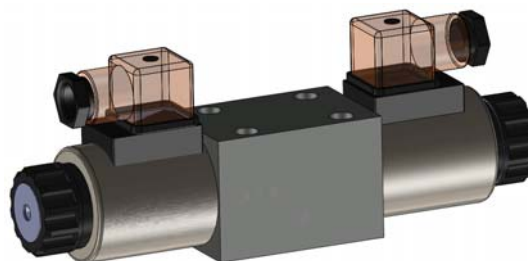
Valve diagram



Code

4WE6J60
4WE6H60
4WE6G60
4WE6E60
4WE6C60
4WE6Y60
4WEHB60

C3 Valves



Voltages available 12VDC, 24VDC, 24VAC, 110VAC, 220VAC
Push and Twist Manual Overrides also available

| | |
|------------------------|------------|
| Working pressure (Max) | Flow (Max) |
| 315bar | 40l/min |

HPM

TD4

33W

H

S

C

N

05P

C

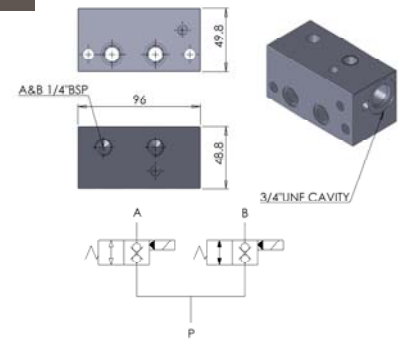
4567

Stacking Plates

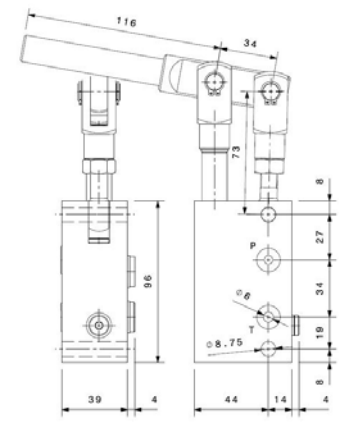
For any additional valve stacking plates, use "C" in part code

Plates with Solenoid Directional Control Valve Cartridges

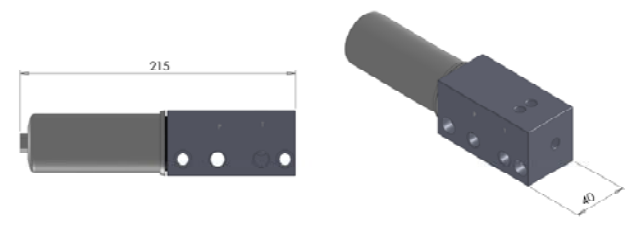
| Description | Part Number |
|--|-------------|
| Manifold for dual—Single Acting circuits | HP150126 |



| | |
|---------------|----------|
| Hand Pump 8cc | BMO07200 |
|---------------|----------|



| | |
|---------------|---------|
| Return Filter | HPV5281 |
|---------------|---------|



HPM
TD4
33W
H
S
C
N
05P
C
4567