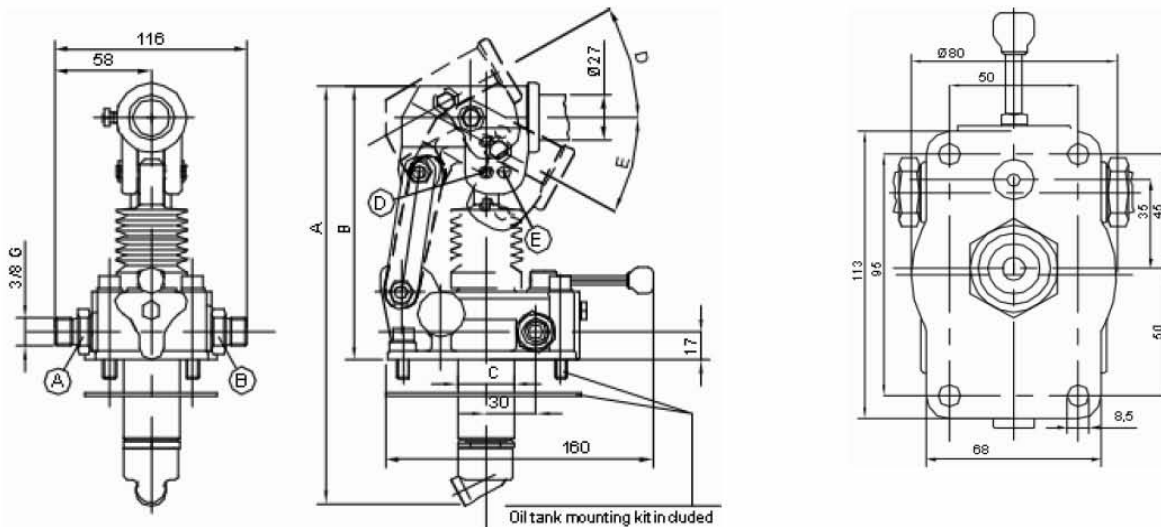


## DOUBLE ACTING HANDPUMPS HPMR



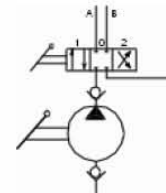
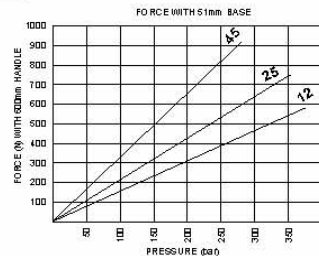
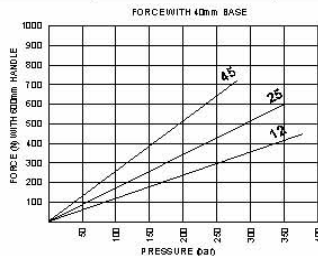
Type	Displacement	Work Pressure	Max Pressure	Weight kg	A (mm)	B (mm)	C (mm)	D (°)	E (°)
HPMR12	12 cm <sup>3</sup>	320 bar	380 bar	4.2 kg	253	166	34	26	31
HPMR25	25 cm <sup>3</sup>	280 bar	350 bar		273	172	34	30	30
HPMR45	45 cm <sup>3</sup>	220 bar	280 bar		283	172	40	45	33

### Description

The HPMR Series of Hand Pumps are double stroke and can be flange mounted directly onto a tank. A Double acting Lever is fitted as standard and a relief valve is available as an option. A 0.6 metre lever is handle is included as standard with hand grip.

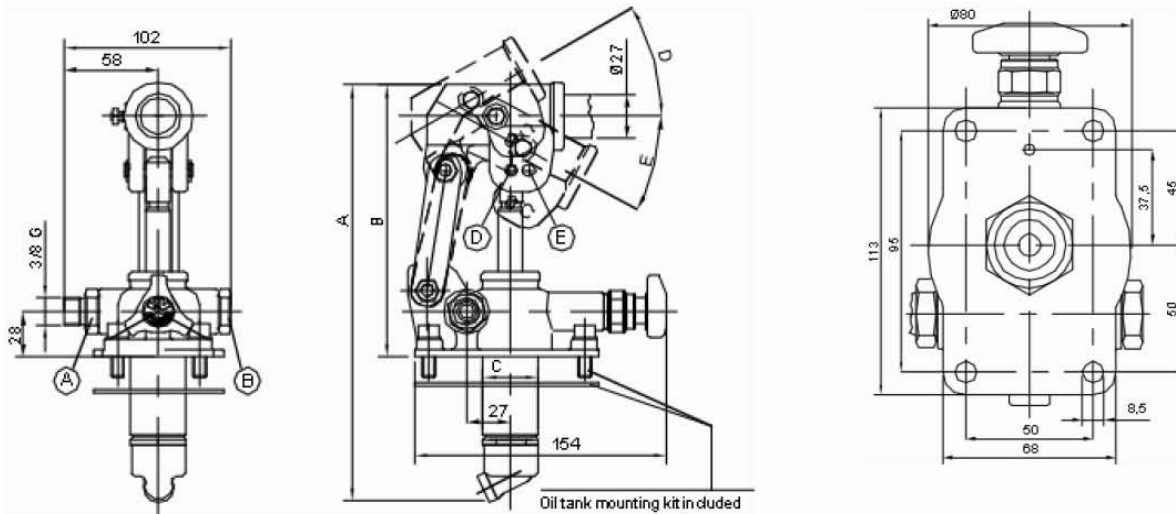
### Technical data

Max Pressure	See chart	Recommended Filtration	100 micron minimum
Ambient Temperature	-15 to +70°C	Weight	See chart
Recommended Oil	Hydraulic Mineral Oil ISO 6743/4 DIN 51519 Viscosity ISO3448		



Series	Size	No,	Version	No,	Rod Gaiter	No,	Relief	No,
HPMR	45		00		S		VM	
	12cm <sup>3</sup>	12	With D.A Lever	00	With Gaiter	S	With	VM
	25cm <sup>3</sup>	25			Without Gaiter	blank	Without	blank
	45cm <sup>3</sup>	45						

## SINGLE ACTING HANDPUMPS HPMU



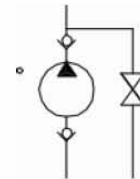
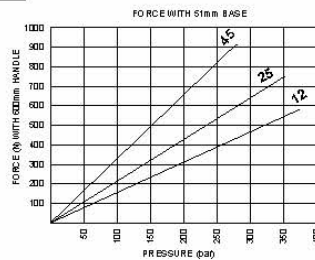
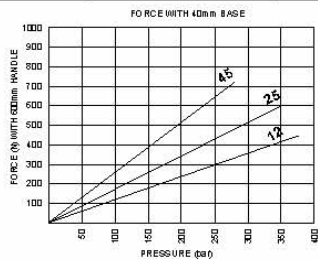
Type	Displacement	Work Pressure	Max Pressure	Weight kg	A (mm)	B (mm)	C (mm)	D (°)	E (°)
HPMU12	12 cm <sup>3</sup>	320 bar	380 bar	2.95 kg	253	166	34	26	31
HPMU25	25 cm <sup>3</sup>	280 bar	350 bar		273	172	34	30	30
HPMU45	45 cm <sup>3</sup>	220 bar	280 bar		283	172	40	45	33

### Description

The HPMU Series of Hand Pumps are double stroke and can be flange mounted directly onto a tank. Designed to operate a single acting cylinder, an unloading valve is optional. A 0.6 metre lever is handle is included as standard with hand grip.

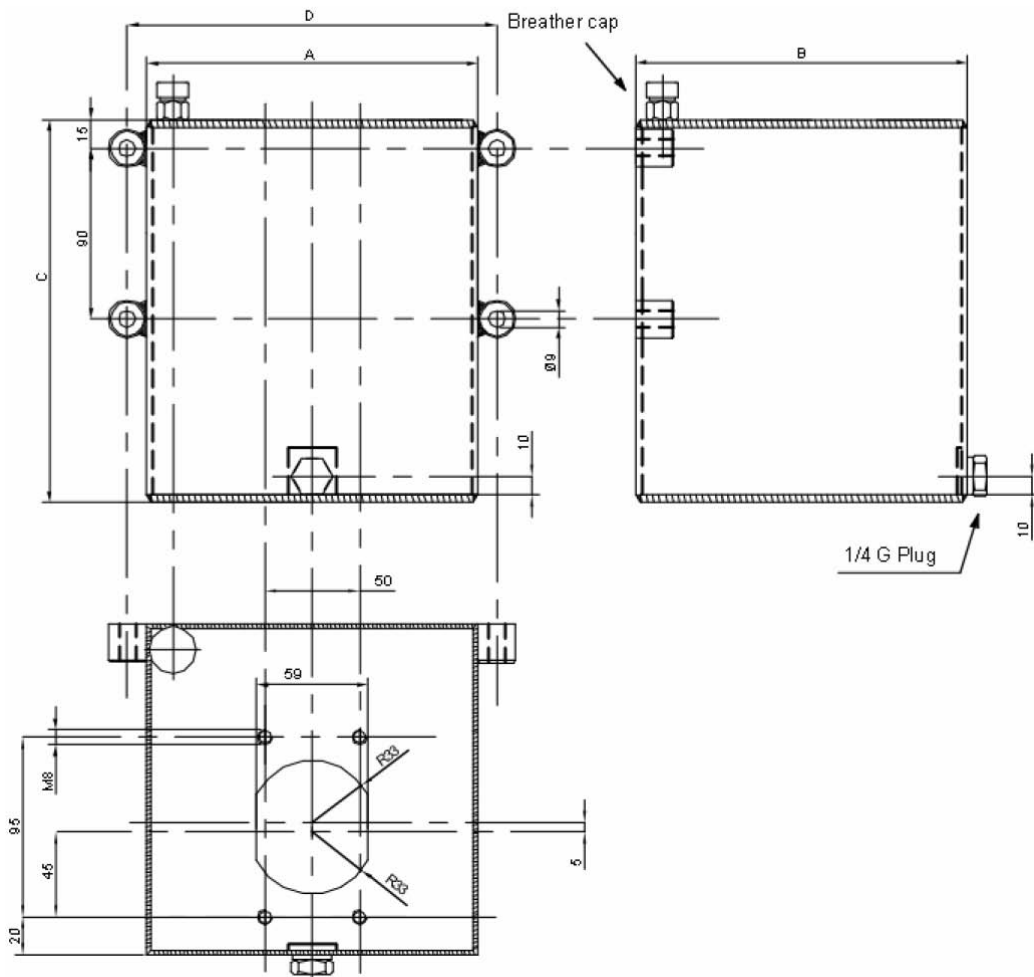
### Technical data

Max Pressure	See chart	Recommended Filtration	100 micron minimum
Ambient Temperature	-15 to +70°C	Weight	See chart
Recommended Oil	Hydraulic Mineral Oil ISO 6743/4 DIN 51519 Viscosity ISO3448		



Series	Size	No,	Version	No,	Rod Gaiter	No,	Relief	No,
HPMU	45	01			S		VM	
	12cm <sup>3</sup>	12	Without Unload	00	With Gaiter	S	With	VM
	25cm <sup>3</sup>	25	With Unload	01	Without Gaiter	blank	Without	blank
	45cm <sup>3</sup>	45						

**HANDPUMP RESERVOIRS**



Type	Capacity Litres	C	B	D	A	Weight kg
RP 408.01	1	120	150	120	100	2.2
RP 408.02	2	185				3
RP 408.03	3	255				3.7
RP 408.05	5	200	175	195	175	5.3
RP 408.07	7	275				6.6
RP 408.10	10	380				8.3

**Description**

This series of Hand pump tanks are suitable for Hand Pumps HPMR and HPMU. Constructed from 3mm Steel these tanks are very robust and can be bulkhead mounted using 4 off M8 bolts. Pre-drilled to accept the HPM hand pumps. Mounting for Vertical or Horizontal orientation. Black powder coated finish.

Complete with a Filler and drain plug and available in capacities up to 10 litres as standard.



Units 2&3, Greenhill Works  
Delaware Rd  
Gunnislake  
Cornwall PL18 9AS  
Tel: 01822 833111  
Fax: 01822 833397  
[keith@interfluid.co.uk](mailto:keith@interfluid.co.uk)

## **HANDPUMP & TANK PRICES 2011**

### **Hand Pumps**

<b>Part No.</b>	<b>Price</b>
<b>HPMU12</b>	<b>£69.40</b>
<b>HPMU25</b>	<b>£71.70</b>
<b>HPMU45</b>	<b>£74.00</b>
<b>HPMR12</b>	<b>£81.90</b>
<b>HPMR25</b>	<b>£84.20</b>
<b>HPMR45</b>	<b>£86.50</b>

### **Tanks**

<b>Part No.</b>	<b>Price</b>
<b>RP408.01</b>	<b>£27.00</b>
<b>RP408.02</b>	<b>£29.20</b>
<b>RP408.03</b>	<b>£31.60</b>
<b>RP408.05</b>	<b>£40.00</b>
<b>RP408.07</b>	<b>£43.40</b>
<b>RP408.10</b>	<b>£48.00</b>

Handpumps are supplied with handle with rubber grip plus fitting kit to attach to reservoir, including seal. All prices are quoted as net, ex-works.